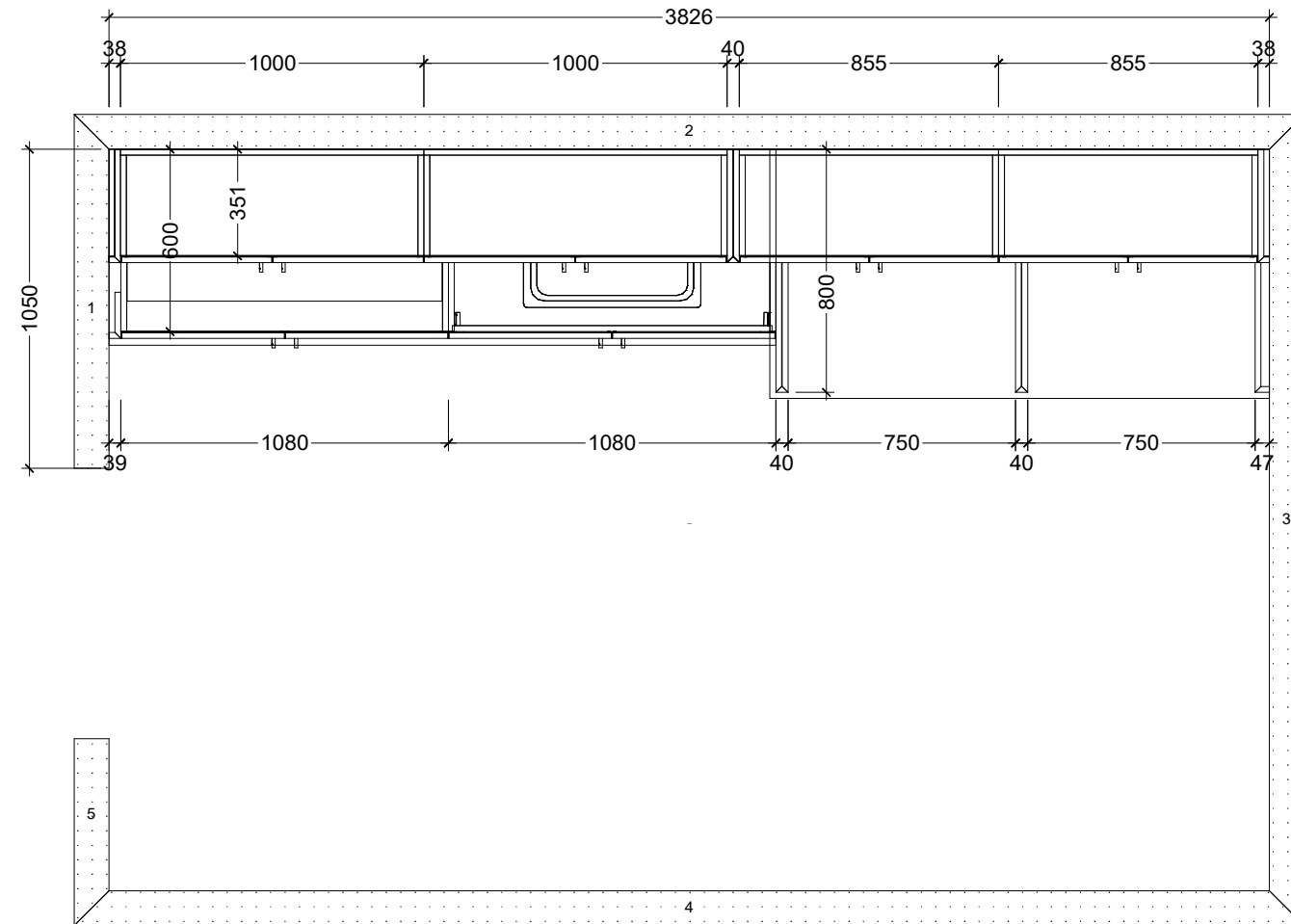


Laundry

Copyright © 2024 Pure Kitchens. All rights reserved.

Job #	35 BOTFIELD
Client :	
Address :	35 Botfield Etobicoke, ON
Tel :	
Email :	
Date :	01/12/24



TOP ALIGNMENT	
Ceiling Height(C.H.)	2796mm
Cabinet Mounting Height	2771mm

Project	Upper	Base & Pantry
Const.	+PK- Standard	+PK- Standard
Door	Flat Slab - Vertical Grain	Flat Slab - Vertical Grain
Species	--	--
Finish	Pre-Finished	Pre-Finished
Colour	Uniboard - K86 - Serenity - 19mm	Uniboard - K86 - Serenity - 19mm

Interior	Tafisa - L203 - Black - 19mm
End Panel	
Edge Tape	To Match Box Exterior
Drw.&Slide	N/A
Toe Kick	100mm
Handles	Berenson - 9612-128-GPH

CROWN & TRIMS	
CM#	N/A
Bead	N/A
Baseboard #	N/A
Light Valance	N/A

GLASS/MIRROR & METAL	
Glass	-
Aluminum Frame	-
Metal Cladding	-
Wine Peg / Cable	-

Drawn & Reviewed By	#	Revision Date
SO	1	
Signature	2	
Check By	3	
Signature	4	
Date	5	
Checked & Approved By Designer		
Signature	Scale:	
Date		

I have read and fully understand this Autocad drawing. The design, finishes, colour and dimensions are correct. I understand that this signed Autocad drawing will supersede any verbal or other written agreements. I understand once this drawing is signed and sent to production, no more changes may be made.

Approval :	Page: 1 of 3
Date	Laundry

○ Laundry Room Plan
 Room: Laundry Room

Laundry

Copyright © 2022 Pure Kitchens. All rights reserved.

Job #	35 BOTFIELD
Client :	
Address :	35 Botfield Etobicoke, ON
Tel :	
Email :	
Date :	01/12/24

TOP ALIGNMENT

Ceiling Height(C.H.)	
Cabinet Mounting Height	

Project	Upper	Base & Pantry
Const.	+PK- Standard	+PK- Standard
Door	Flat Slab - Vertical Grain	Flat Slab - Vertical Grain
Species	--	--
Finish	Pre-Finished	Pre-Finished
Colour	Uniboard - K86 - Serenity - 19mm	Uniboard - K86 - Serenity - 19mm

Interior	Tafisa - L203 - Black - 19mm
End Panel	
Edge Tape	To Match Box Exterior
Drw.&Slide	N/A
Toe Kick	100mm
Handles	Berenson - 9612-128-GPH

CROWN & TRIMS

CM#	N/A
Bead	N/A
Baseboard #	N/A
Light Valance	N/A

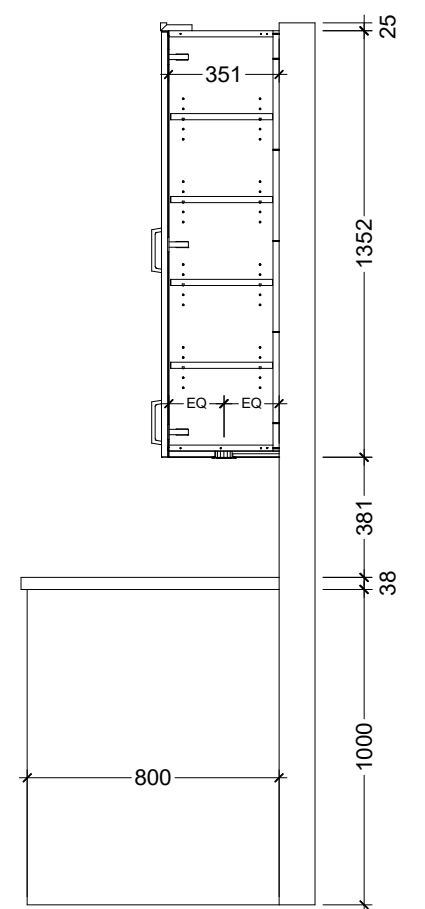
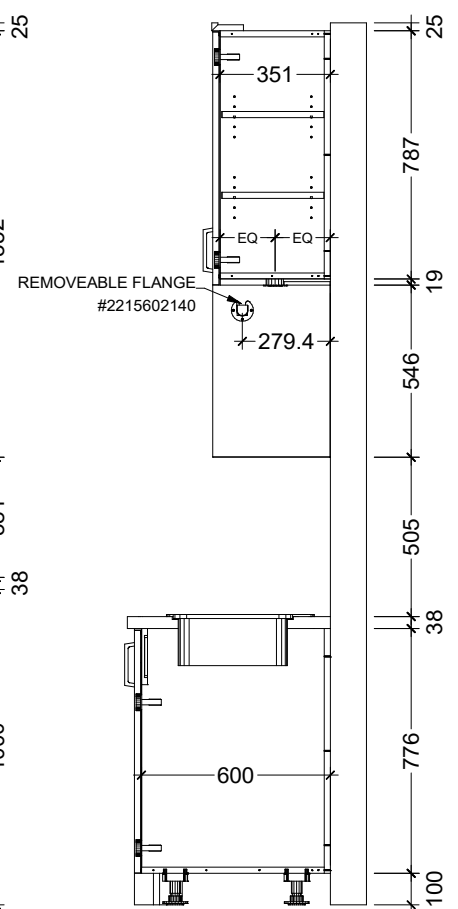
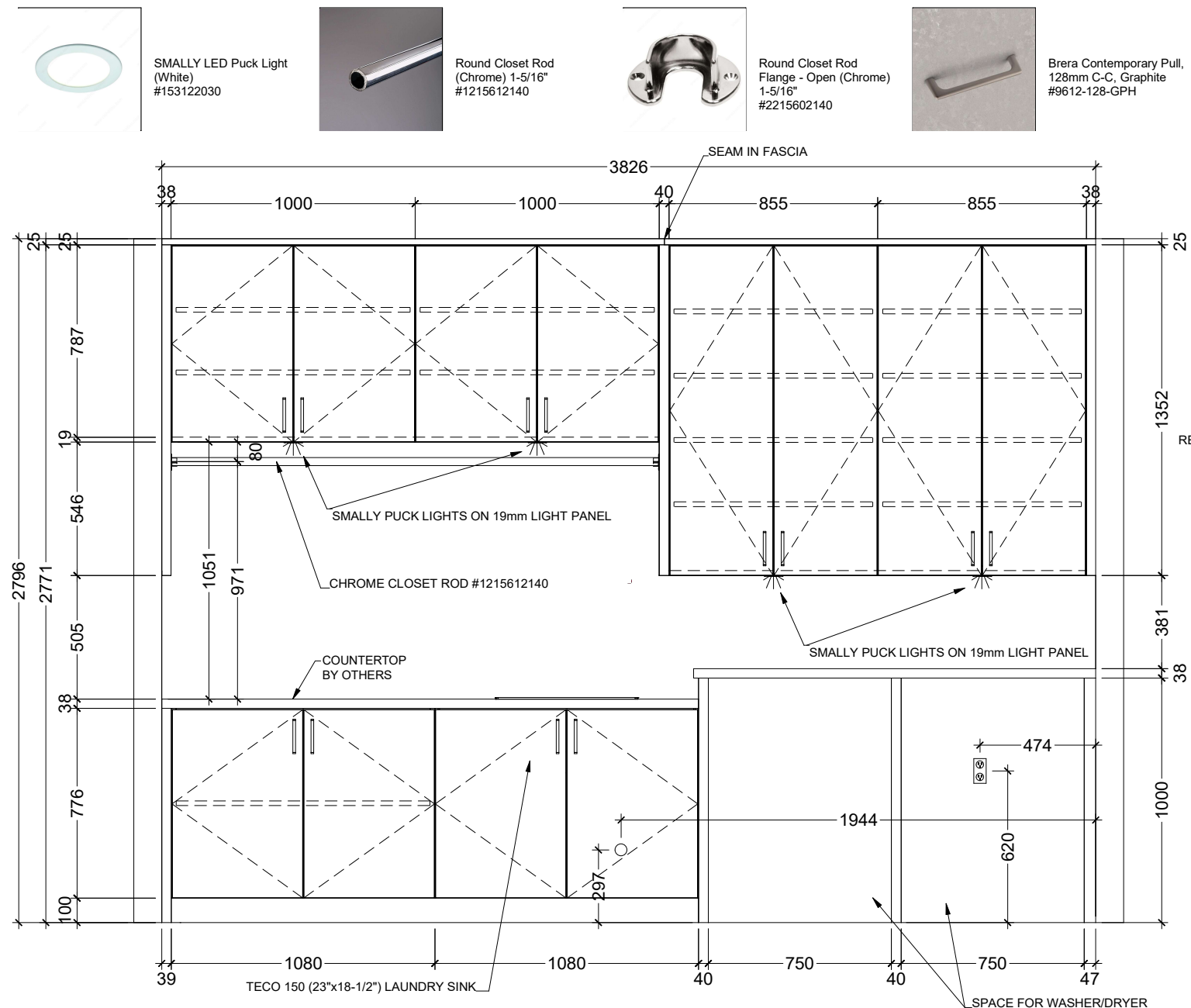
GLASS/MIRROR & METAL

Glass	-
Aluminum Frame	-
Metal Cladding	-
Wine Peg / Cable	-

Drawn & Reviewed By	#	Revision Date
SO	1	
Signature	2	
Check By	3	
Signature	4	
Date	5	
Checked & Approved By Designer	Scale: 1/2" = 1'	
Signature	Date	

I have read and fully understand this Autocad drawing. The design, finishes, colour and dimensions are correct. I understand that this signed Autocad drawing will supersede any verbal or other written agreements. I understand once this drawing is signed and sent to production, no more changes may be made.

Approval :	Page: 2 of 3
Date	Laundry



Powder Room

Copyright © 2022 Pure Kitchens. All rights reserved.

Job #	35 BOTFIELD
Client :	
Address :	35 Botfield Etobicoke, ON
Tel :	
Email :	
Date :	01/12/24

TOP ALIGNMENT		
Ceiling Height(C.H.)		
Cabinet Mounting Height		
Project	Upper	Base & Pantry
Const.	+PK- Standard	+PK- Standard
Door	Flat Slab - Vertical Grain	Flat Slab - Vertical Grain
Species	--	--
Finish	Pre-Finished	Pre-Finished
Colour	AGT Picasso Inox 394 G2S	AGT Picasso Inox 394 G2S

Interior	Tafisa - L203 - Black - 19mm	
End Panel		
Edge Tape	To Match Box Exterior	
Drw.&Slide	N/A	
Toe Kick	100mm	
Handles	Touch Latch	

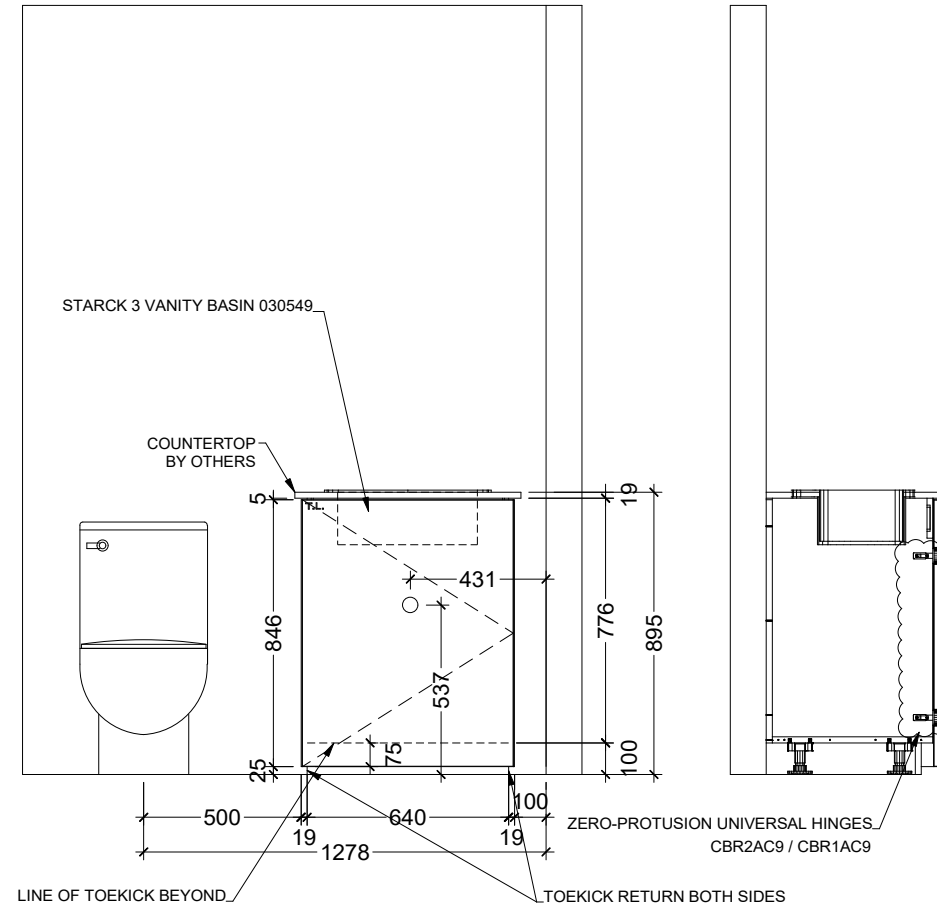
CROWN & TRIMS	
CM#	N/A
Bead	N/A
Baseboard #	N/A
Light Valance	N/A

GLASS/MIRROR & METAL	
Glass	-
Aluminum Frame	-
Metal Cladding	-
Wine Peg / Cable	-

Drawn & Reviewed By SO Signature	#	Revision Date
	1	
Check By Signature	2	
	3	
Checked & Approved By Designer Signature	4	Date
	5	Date
		Scale:

I have read and fully understand this Autocad drawing. The design, finishes, colour and dimensions are correct. I understand that this signed Autocad drawing will supersede any verbal or other written agreements. I understand once this drawing is signed and sent to production, no more changes may be made.

Approval :	Page: 3 of 3
Date	Powder Room



○ Powder Room Elev 1
Room: Powder Room

