

# GOEMANS APPLIANCES

*Expect More. Get More.*

## APPLIANCE SPECIFICATIONS



**PROJECT PARTNER:**  
Bill To: 4162789931

**SHIP TO:**  
Ship To: 4162789931

Sixth Avenue Homes, ANTHONY MACRI  
35 Botfield Ave  
ETOBICOKE, ON M9B 4E2

### REMINDER:

To ensure a smooth project it is the responsibility of the homeowner / purchaser of appliances to share all the attached specifications with their cabinet provider, contractor, or any other tradesperson so they have the information required to complete their work accurately. Product specifications are for planning purposes only and are subject to change without notice. Refer to installation instructions shipped with the product before cutting cabinets, counters, panels, etc.

Goemans Appliances assumes no liability for product specifications.

**Ship To: 4162789931**

Bill To: 4162789931

Sixth Avenue Homes, ANTHONY MACRI  
35 Botfield Ave  
ETOBICOKE, ON M9B 4E2



**Goemans Appliances**

goemans.com

**mike ALBANESE**

4165780719

Document **V000029156**

Version 5.5

Wed, Oct 25, 2023

2:32 PM EDT



[enterprise.steelcod.com/sp/goem/EV4EY7S0](https://enterprise.steelcod.com/sp/goem/EV4EY7S0)

<i>Contents</i>	<i>Page no.</i>
<b>SHV53CM3N</b> Bosch Dishwasher 24" Custom Panel Dishwasher	4-6
<b>KFGC506JSS</b> KitchenAid Range	7-10
<b>AVM368PS</b> Avant Garde Ventilation	11-12
<b>HRB 1120</b> Liebherr Refrigeration 24" Fully Integrated All Refrigerator Refrigerator with BioFresh for integrated use - Panel Ready	13-14
<b>HF 861</b> Liebherr Refrigeration 24" Fully Integrated All Freezer for integrated use with NoFrost - Panel Ready	15-16
<b>HW 8000</b>	17-19

**Note about page numbers:**

Because the original manufacturer's documents are not altered in any way, the page numbers displayed on the page may not correspond to the page number within this package.

**All specifications are intended for initial planning purposes only.**

Manufacturers reserve the right to change specifications at any time without notice. Always consult the installation instructions found on the manufacturer's website or included with the appliances before installation.

Liebherr Refrigeration

24" Wine Fully integrated Built-in multi-temperature wine cabinet - Panel Ready

**Note about page numbers:**

Because the original manufacturer's documents are not altered in any way, the page numbers displayed on the page may not correspond to the page number within this package.

**All specifications are intended for initial planning purposes only.**

Manufacturers reserve the right to change specifications at any time without notice. Always consult the installation instructions found on the manufacturer's website or included with the appliances before installation.

# 24" Custom Panel Dishwasher

300 Series – Custom Panel SHV53CM3N



**BOSCH**  
Invented for life



**SHV53CM3N**  
Custom Panel

**The 3rd rack provides the perfect space for silverware and large utensils while its V shape leaves room below for taller items.**

## Features & Benefits

So quiet at 46 dBA, InfoLight® shines on the floor so you know the dishwasher is running.

With PrecisionWash®, intelligent sensors and precision spray arms target every item of every load, so dishes come out sparkling clean every time.

Enhance your cleaning experience with Wi-Fi enabled Home Connect®. Access additional wash cycles and options or choose the right one for your needs using Smart Cycle.

The AquaStop® leak protection system contains leaks through a precisely engineered system. If a leak occurs, the system contains it by shutting down operation and pumping out water. So you have the ultimate peace of mind whether you are away or at home.

General Properties	
Number of wash cycles	5 + 3 additional in Home Connect®
Number of options	3 + 2 additional in Home Connect®
dBA	46
Wash system	PrecisionWash®
Drying system	PureDry®
Third rack	Standard 3rd Rack
Rack adjustability	Rackmatic®
Tub material	Stainless Steel
Control type	Touch Controls
Concealed water heating element	Yes
Leak protection system	24/7 AquaStop®
Home Connect® (WiFi enabled)	Yes
NSF®-certified* sanitize option	Yes
Water softener	No
Five-level wash	Yes
Child Lock button suspension	No
Special features	InfoLight®, Extra Dry Option
Efficiency	
Water usage per cycle	3.5
ENERGY STAR® qualified	No
Total annual energy consumption	269 kWh
Capacity	
Number of place settings	16



Technical Details	
Watts	1440 W
Current	12 Amps
Volts	120 V
Frequency	60 Hz
Power cord full length	67"
Power cord install length from edge of unit when facing the door	Left – 45" Right – 56"
Minimum water pressure	14 lb/sin
Length outlet hose	78 3/4"
Dimensions & Weight	
Overall appliance dimensions (HxWxD)	33 7/8" x 23 9/16" x 23 1/16"
Required cutout size (HxWxD)	33 7/8" x 24" x 24"
Adjustable feet	Yes
Net weight	78 lbs
Accessories—Optional	
Junction Box	SMZPCJB1UC
Junction Box + Supply Hose Kit	SMZ3IN1UC
Bosch Dishwasher Water Supply Hose	SMZSH1ABUC
Drain Hose Extension Kit	SGZ1010UC
Silverware Basket	SMZ4000UC
Dishwasher Accessory Kit	SMZ5000
Anti-Tarnish Silverware Cassette	SMZ5002UC
Edge Protector + Power Cord Clip Install Kit	SMZEPCC1UC
Stainless Steel Bar Handle	SMZ1008UC



\*Certification to NSF/ANSI Standard 184 for residential dishwashers

**Accessories:** To purchase Bosch accessories, cleaners & parts please visit [www.bosch-home.com/us/store](http://www.bosch-home.com/us/store) or call 1-800-944-2904 (Mon to Fri 5 am to 6 pm PST, Sat 6 am to 3 pm PST).

**Notes:** All height, width and depth dimensions are shown in inches. BSH reserves the absolute and unrestricted right to change product materials and specifications, at any time, without notice. Consult the product's installation instructions for final dimensional data and other details prior to making cutout.

**Warranties:** Please see Use & Care manual or Bosch website for statement of limited warranty.

**For more information on our entire line of products, go to [www.bosch-home.com/us](http://www.bosch-home.com/us) or call 1-800-944-2904**

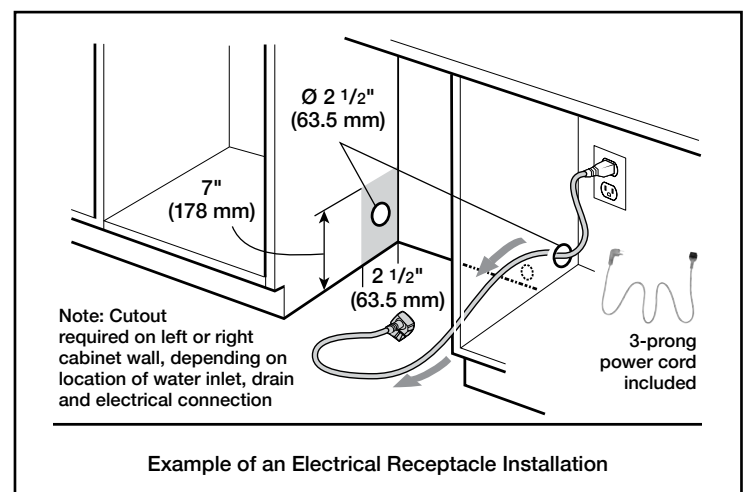
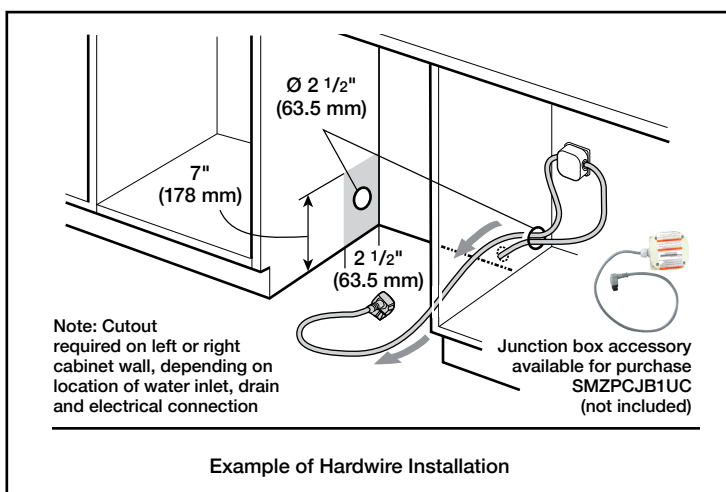
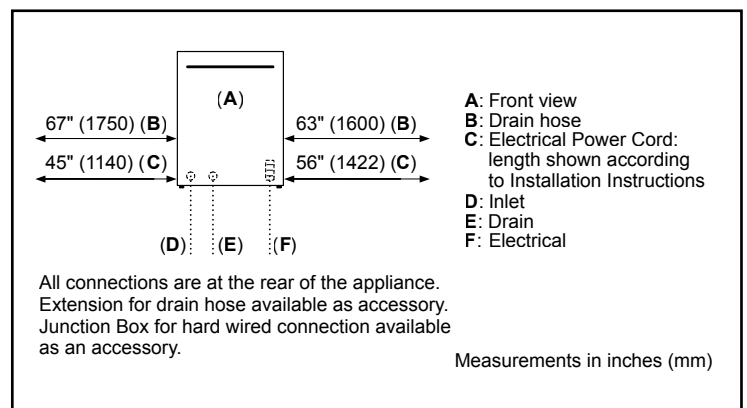
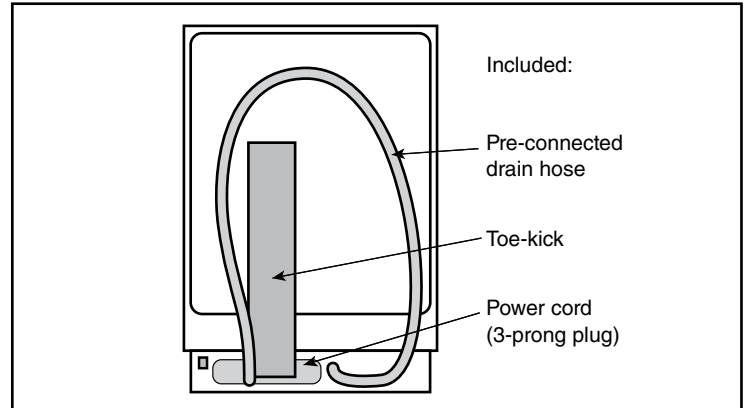
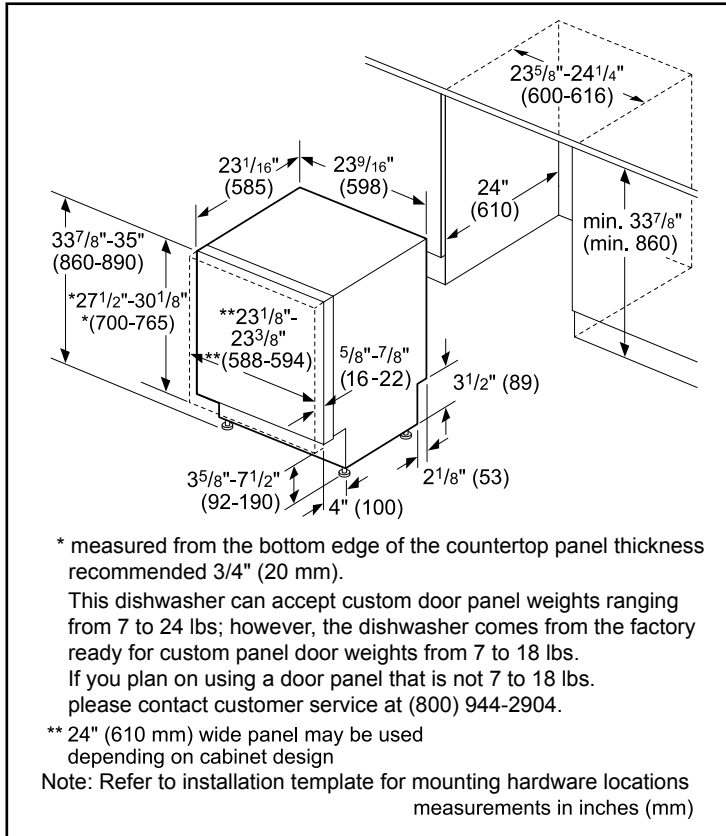
© BSH Home Appliances Corporation. All rights reserved. Bosch is a registered trademark of Robert Bosch GmbH.

# 24" Custom Panel Dishwasher

300 Series – Custom Panel SHV53CM3N



## Installation Details



**Accessories:** To purchase Bosch accessories, cleaners & parts please visit [www.bosch-home.com/us/store](http://www.bosch-home.com/us/store) or call 1-800-944-2904 (Mon to Fri 5 am to 6 pm PST, Sat 6 am to 3 pm PST).

**Notes:** All height, width and depth dimensions are shown in inches. BSH reserves the absolute and unrestricted right to change product materials and specifications, at any time, without notice. Consult the product's installation instructions for final dimensional data and other details prior to making cutout.

**Warranties:** Please see Use & Care manual or Bosch website for statement of limited warranty.

**For more information on our entire line of products, go to [www.bosch-home.com/us](http://www.bosch-home.com/us) or call 1-800-944-2904**

© BSH Home Appliances Corporation. All rights reserved. Bosch is a registered trademark of Robert Bosch GmbH.

# 24" Custom Panel Dishwasher

300 Series – Custom Panel SHV53CM3N

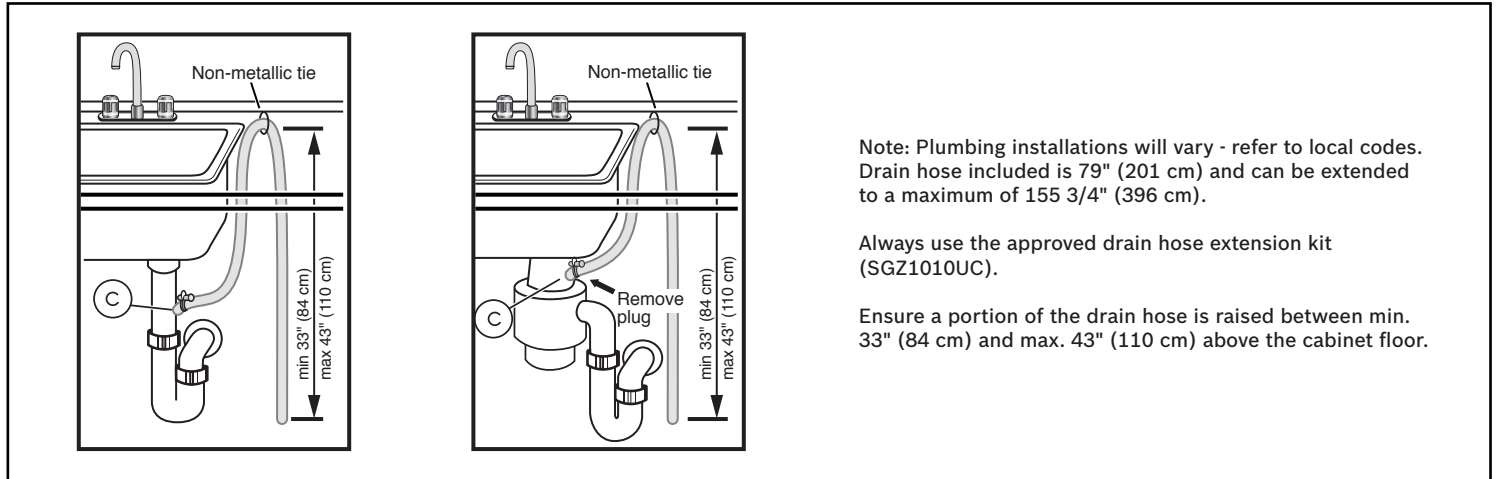


**BOSCH**

Invented for life



## Installation Details



**Accessories:** To purchase Bosch accessories, cleaners & parts please visit [www.bosch-home.com/us/store](http://www.bosch-home.com/us/store) or call 1-800-944-2904 (Mon to Fri 5 am to 6 pm PST, Sat 6 am to 3 pm PST).

**Notes:** All height, width and depth dimensions are shown in inches. BSH reserves the absolute and unrestricted right to change product materials and specifications, at any time, without notice. Consult the product's installation instructions for final dimensional data and other details prior to making cutout.

**Warranties:** Please see Use & Care manual or Bosch website for statement of limited warranty.

**For more information on our entire line of products, go to [www.bosch-home.com/us](http://www.bosch-home.com/us) or call 1-800-944-2904**

© BSH Home Appliances Corporation. All rights reserved. Bosch is a registered trademark of Robert Bosch GmbH.



KFGC506JSS

**KitchenAid®**

## KitchenAid® 36" Smart Commercial-Style Gas Range with 6 Burners

<http://www.kitchenaid.com>



### Key Features:

- Even-Heat™ True Convection
- Two 20,000 BTU Ultra Power™ Dual-Flame Burners
- Smart Appliance
- 5,000 BTU Simmer & Melt Burner
- Three-Level Convertible Grates
- Three 15,000 BTU Burners
- Dual-Concentric Oven Knob
- SatinGlide™ Roll-Out Extension Rack
- 5.1 Cu. Ft. Capacity
- EasyConvect™ Conversion System
- KitchenAid® Handle Medallion Kit (sold separately)

### Product Dimensions:

Height: 36

Width: 35 7/8

### Additional Information:

[Use And Care Guide](#)

[Dimension Guide](#)

[Installation Guide](#)

[Warranty Certificate](#)

### Available in:

Avocado Cream

● Imperial Black

Ink Blue

Misty Blue

Milkshake

Passion Red

Scorched Orange

● Stainless Steel

Yellow Pepper

INVESTED  
IN  
**AMERICA**

©Registered trademark/TM Trademark of Whirlpool, U.S.A. © 2016 Whirlpool Corporation. All Rights Reserved. All other trademarks are owned by their respective companies.

Because Whirlpool Corporation policy includes a continuous commitment to improve our products, we reserve the right to change materials and specifications without notice. We also reserve the right to discontinue or transition products without notice.

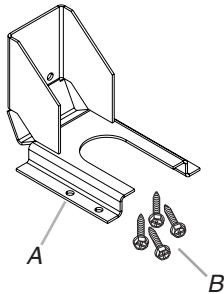
Manufacturer's Suggested Retail Price (MSRP) and Minimum Advertised Price (MAP) provided for reference purposes only. Dealer alone determines advertised and retail prices.

Created On: Friday, May 08, 2020 13:03:52

## Parts Supplied

Check that all parts are included.

- Anti-tip bracket kit



A. Anti-tip bracket  
B. #8-18 x 1" (2.5 cm) Phillips head screws (4)

**NOTE:** Anti-tip bracket must be securely mounted to subfloor. Thickness of flooring may require longer screws to anchor bracket to subfloor. Longer screws are available from your local hardware store. See the "Install Anti-Tip Bracket" section.

- Burner grates
- Burner caps
- Griddle drip tray (on griddle models)

## Parts Needed

- All models must be installed with a backguard if installing at zero clearance to a combustible back wall surface such as drywall. See "Cabinet Dimensions" in the "Location Requirements" section for installation requirements.

Check local codes and consult gas supplier. Check existing gas supply and electrical supply. See the "Electrical Requirements" and "Gas Supply Requirements" sections.

It is recommended that all electrical connections be made by a licensed, qualified electrical installer.

## Location Requirements

**IMPORTANT:** Observe all governing codes and ordinances. Do not obstruct flow of combustion and ventilation air.

- It is the installer's responsibility to comply with installation clearances specified on the model/serial/rating plate. The model/serial/rating plate is located under the console on the right-hand side.
- It is recommended that a 585 CFM (993.9 m<sup>3</sup>/hr) or larger range hood be installed above the range.
- Follow the range hood or microwave hood combination installation instructions for dimensional clearances above the cooktop surface.
- Recessed installations must provide complete enclosure of the sides and rear of the range.
- All openings in the wall or floor where range is to be installed must be sealed.
- Do not seal the range to the side cabinets.
- Cabinet opening dimensions that are shown must be used. Given dimensions are minimum clearances.
- The anti-tip bracket must be installed. To install the anti-tip bracket shipped with the range, see the "Install Anti-Tip Bracket" section.
- Grounded electrical supply is required. See the "Electrical Requirements" section.
- Proper gas supply connection must be available. See the "Gas Supply Requirements" section.
- Contact a qualified floor covering installer to check that the floor covering can withstand at least 200°F (93°C). Use an insulated pad or 1/4" (6.4 mm) plywood over carpet and under range if installing range over carpeting.

**IMPORTANT:** To avoid damage to your cabinets, check with your builder or cabinet supplier to make sure that the materials used will not discolor, delaminate, or sustain other damage. This oven has been designed in accordance with the requirements of UL and CSA International and complies with the maximum allowable wood cabinet temperatures of 194°F (90°C).

## Mobile Home - Additional Installation Requirements

The installation of this range must conform to the Manufactured Home Construction and Safety Standard, Title 24 CFR, Part 3280 (formerly the Federal Standard for Mobile Home Construction and Safety, Title 24, HUD Part 280). When such standard is not applicable, use the Standard for Manufactured Home Installations, ANSI A225.1/NFPA 501A or local codes.

In Canada, the installation of this range must conform with the current standards CAN/CSA-A240-latest edition or with local codes.

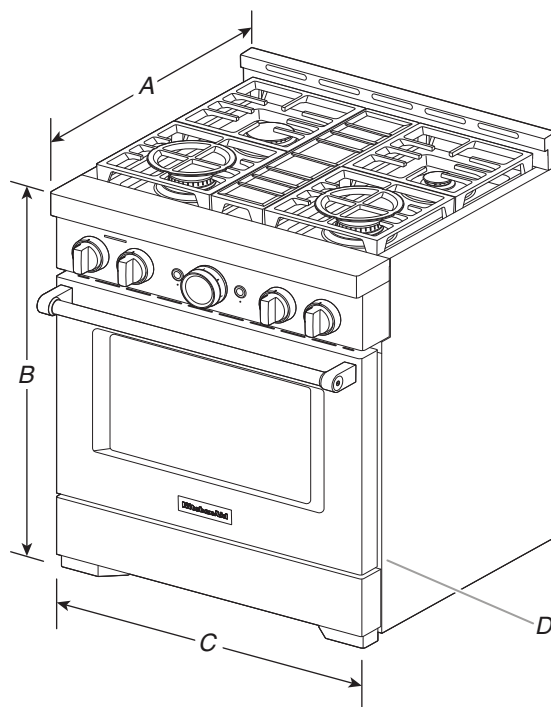
## Mobile Home Installations Require:

- When this range is installed in a mobile home, it must be secured to the floor during transit. Any method of securing the range is adequate as long as it conforms to the standards listed above.

## Product Dimensions

**NOTE:** Cooktop features may differ.

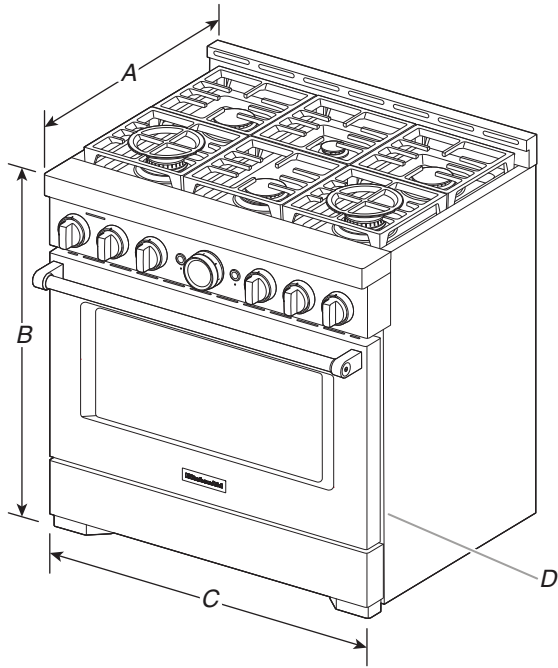
### 30" (76.2 cm) models



A. 27<sup>3</sup>/<sub>4</sub>" (70.5 cm) depth with control panel (See NOTE.)  
B. 36" (91.4 cm) range height when sitting on the wheels  
C. 29<sup>7</sup>/<sub>8</sub>" (75.7 cm) width  
D. Model/serial/rating plate location/SAID label (located on front side panel)

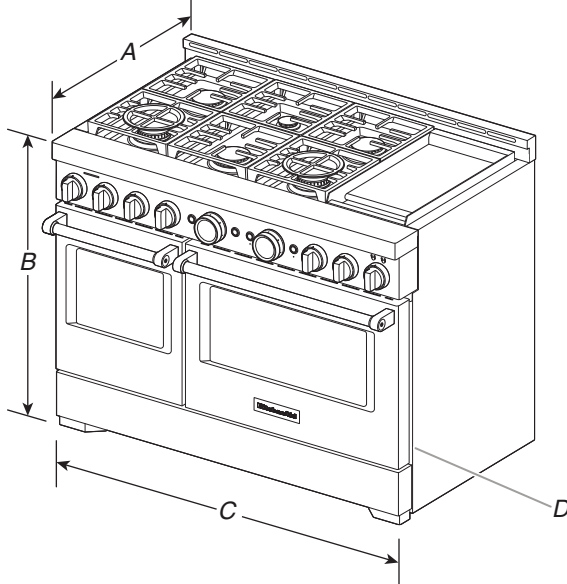


### 36" (91.4 cm) models



- A. 27<sup>3</sup>/<sub>4</sub>" (70.5 cm) depth with control panel (See NOTE.)
- B. 36" (91.4 cm) range height when sitting on the wheels
- C. 35<sup>7</sup>/<sub>8</sub>" (91.1 cm) width
- D. Model/serial/rating plate location/SAID label (located on front side panel)

### 48" (121.9 cm) models



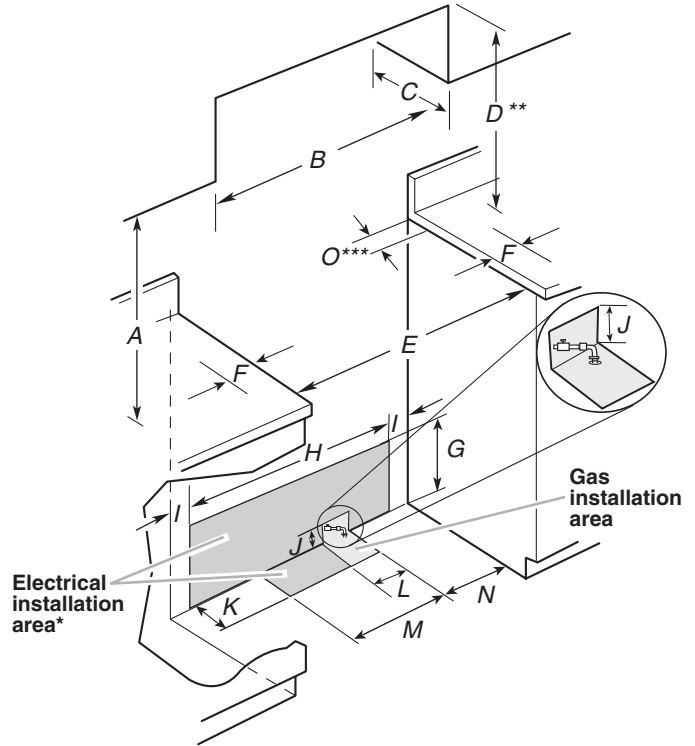
- A. 27<sup>3</sup>/<sub>4</sub>" (70.5 cm) depth with control panel (See NOTE.)
- B. 36" (91.4 cm) range height when sitting on the wheels
- C. 47<sup>7</sup>/<sub>8</sub>" (121.6 cm) width
- D. Model/serial/rating plate location/SAID label (located on front side panel)

**NOTE:** When installed in a 24" (61.0 cm) base cabinet with 25" (63.5 cm) countertop; front of oven door protrudes 3" (7.6 cm) beyond 24" (61.0 cm) base cabinet.

### Cabinet Requirements

Cabinet opening dimensions shown are for 25" (64.0 cm) countertop depth, 24" (61.0 cm) base cabinet depth, and 36" (91.4 cm) countertop height. Dimensions must be met in order to ensure a flush fit to back wall.

**IMPORTANT:** If installing a range hood, hood liner, or microwave hood combination above the cooking surface, follow the range hood or microwave hood combination installation instructions for dimensional clearances above the cooking surface.



- A. 18" (45.7 cm) upper cabinet to countertop
- B. 30" (76.2 cm) model: 30" (76.2 cm) min. upper cabinet width  
36" (91.4 cm) model: 36" (91.4 cm) min. upper cabinet width  
48" (121.9 cm) model: 48" (121.9 cm) min. upper cabinet width
- C. 13" (33 cm) max. upper cabinet depth
- D. For minimum clearance to top of range.\*\*
- E. 30" (76.2 cm) on 30" (76.2 cm) models  
36" (91.4 cm) on 36" (91.4 cm) models  
48" (121.9 cm) on 48" (121.9 cm) models
- F. 12" (30.4 cm) min. clearance from both sides of range to side wall or other combustible material
- G. 15" (38.1 cm)
- H. 22" (55.9 cm) on 30" (76.2 cm) models  
28" (71.1 cm) on 36" (91.4 cm) models  
40" (101.6 cm) on 48" (121.9 cm) models
- I. 4" (10.1 cm)
- J. 3" (7.6 cm)
- K. 5" (12.7 cm)
- L. 3" (7.6 cm) on 30" (76.2 cm) models  
11" (27.9 cm) on 36" (91.4 cm) models  
21" (53.3 cm) on 48" (121.9 cm) models
- M. 7<sup>1</sup>/<sub>2</sub>" (19.0 cm)
- N. 9" (22.9 cm)
- O. 6" (15.2 cm)\*\*\*

#### \*\* If not using ventilation, Minimum Clearances

**30" (76.2 cm) models:** 42" (106.7 cm) minimum clearance between the top of the cooking platform and the bottom of a combustible surface

**36" (91.4 cm) models:** 58" (147.3 cm) minimum clearance between the top of the cooking platform and the bottom of a combustible surface

**48" (121.9 cm) models:** 58" (147.3 cm) minimum clearance between the top of the cooking platform and the bottom of a combustible surface

\*\*\*If the surface of the back wall is constructed of a combustible material and a backguard is not installed, a 6" (15.2 cm) minimum clearance is required for all models.

## Electrical Requirements

### ⚠ WARNING



#### Electrical Shock Hazard

- Plug into a grounded 3 prong outlet.
- Do not remove ground prong.
- Do not use an adapter.
- Do not use an extension cord.
- Failure to follow these instructions can result in death, fire, or electrical shock.

**IMPORTANT:** The range must be electrically grounded in accordance with local codes and ordinances or, in the absence of local codes, with the National Electrical Code, ANSI/NFPA 70 or Canadian Electrical Code, CSA C22.1.

If codes permit and a separate ground wire is used, it is recommended that a qualified electrical installer determine that the ground path is adequate.

A copy of the above code standards can be obtained from:

National Fire Protection Association  
1 Batterymarch Park  
Quincy, MA 02169-7471  
CSA International  
8501 East Pleasant Valley Road  
Cleveland, Ohio 44131-5575

- A 120 V, 60 Hz, AC only, 15 A, fused electrical circuit is required. A time-delay fuse or circuit breaker is also recommended. It is recommended that a separate circuit serving only this range be provided.
- Electronic ignition systems operate within wide voltage limits, but proper grounding and polarity are necessary. Check that the outlet provides 120 V power and is correctly grounded.
- The wiring diagram is located behind the kick plate in a clear plastic bag.

## Gas Supply Requirements

### ⚠ WARNING



#### Explosion Hazard

- Use a new CSA International approved gas supply line.
- Install a shut-off valve.
- Securely tighten all gas connections.
- If connected to propane, have a qualified person make sure gas pressure does not exceed 14" (36 cm) water column.
- Examples of a qualified person include:  
licensed heating personnel,  
authorized gas company personnel, and  
authorized service personnel.
- Failure to do so can result in death, explosion, or fire.

Observe all governing codes and ordinances.

**IMPORTANT:** This installation must conform with all local codes and ordinances. In the absence of local codes, installation must conform with American National Standard, National Fuel Gas Code ANSI Z223.1 — latest edition — or CAN/CGA B149 — latest edition.

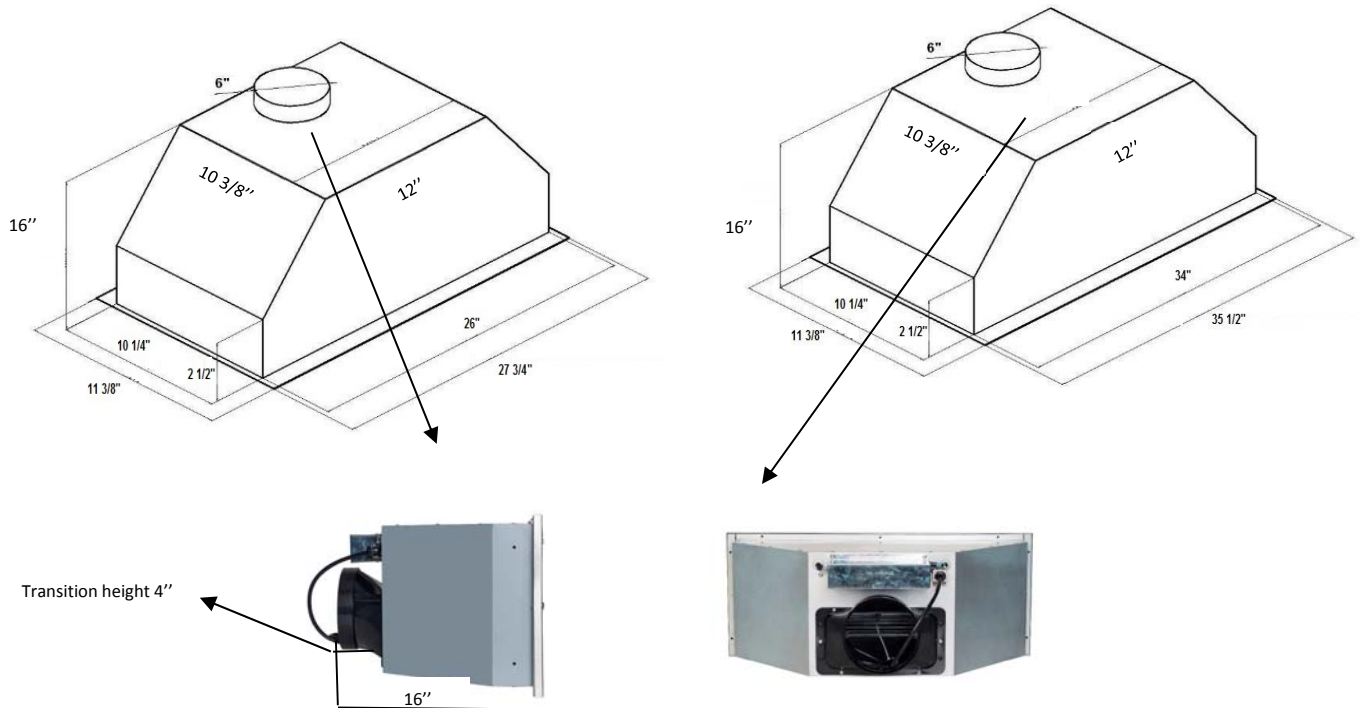
**IMPORTANT:** Range must be connected to a regulated gas supply.

**IMPORTANT:** Leak testing of the range must be conducted according to the manufacturer's instructions.

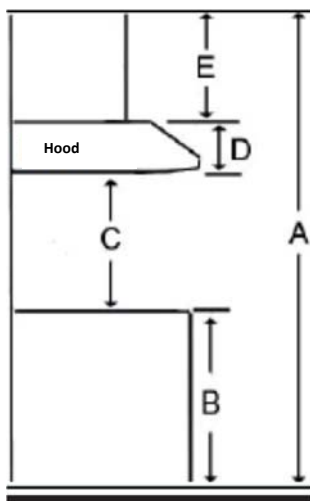


<b>Selected Model</b>	
Model number	AVM-368PS
<b>Dimensions</b>	
Dimensions	35 1/2" (W) x 11 3/4" (D) x 13 1/2"-16" (H)
	35 1/2" (W) x 11 3/8" (D) x 13 1/2" (H)
<b>Exterior Appearance</b>	
Stainless steel grade	201
<b>Features</b>	
Control	Mechanical push buttons
Lighting	2 bulbs, 3W LED (bulbs included)
Blower type	860 CFM, 3-Speed
Blower performance	Speed 1, 0.7 sones Speed 3, 4.0 sones
Filter type	2 aluminium superior micro hole filters and stainless steel baffle filters included
Duct transition	6" Round (Top)
Ducting	Ducted
<b>Electrical Requirements</b>	
Electrical requirements	120V / 60Hz / 2.7 Amps
<b>Warranty</b>	
1-year Warranty	Parts and labour, in-home service

**Dimensions**



**Installation**



A	Floor to ceiling height	variable
B	Floor to counter top height (standard)	36"
C	Recommended height between cooking surface and bottom of the hood	28" to 30"
D	Hood height (including transition height (4"))	16"
E	Cabinet height	N/A

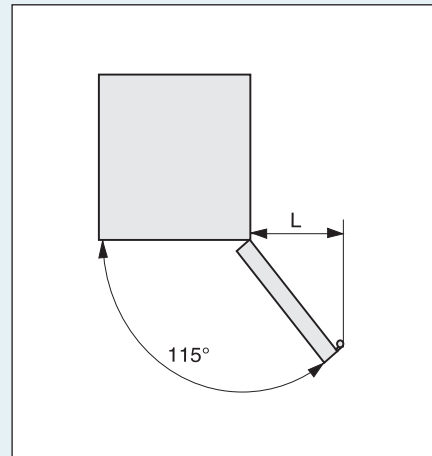
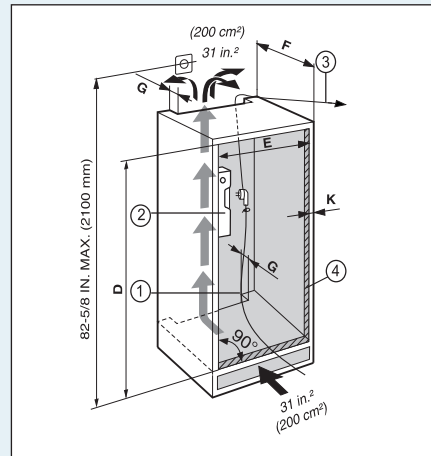
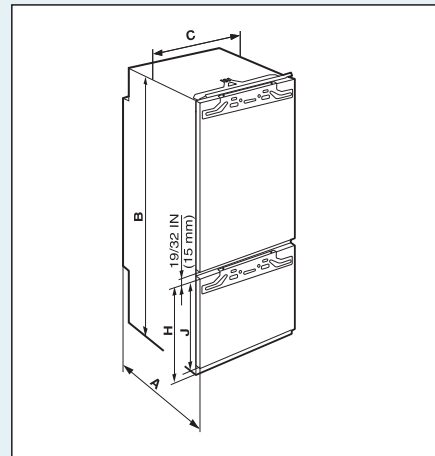
**Duct transition**

Top 6" Round

*The information contained herein is based on sources that we believe to be reliable, but is not guaranteed by us, may be incomplete and/or may change without notice.*



Unit Dimensions



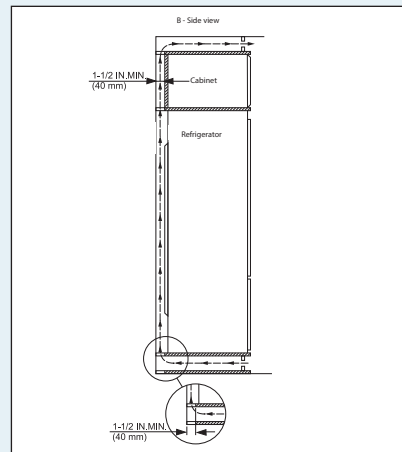
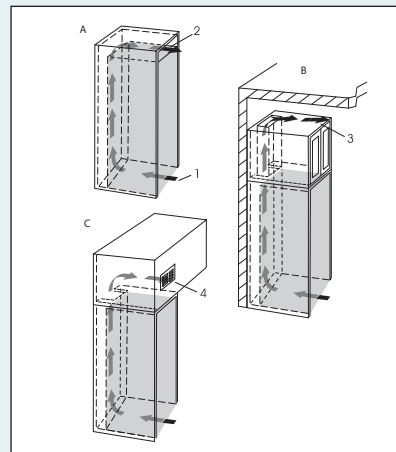
- A. 21-7/16" (544 mm)
- B. 69-11/16" (1770 mm)
- C. 22" (559 mm)
- D. 69-3/4" - 70-3/8" (1772 - 1788 mm)
- E. min. 22" (560 mm)  
max. 22-3/4" (578 mm)
- F. 21-5/8" (550 mm)

- G. 1-5/8" (40 mm)
- J. 66-1/2" (1689,9 mm)
- K. max. 3/4" (19 mm)
- L. 9-21/32" (245 mm)

- ① Power cord
- ② Level
- ③ Fish line for power cord
- ④ 3" of the cabinet needs to be finished as it can be seen when the door is open.

In the case of Side-by-Side installation, two appliances next to one another, build the appliances into separate kitchen units.

Ventilation Requirements

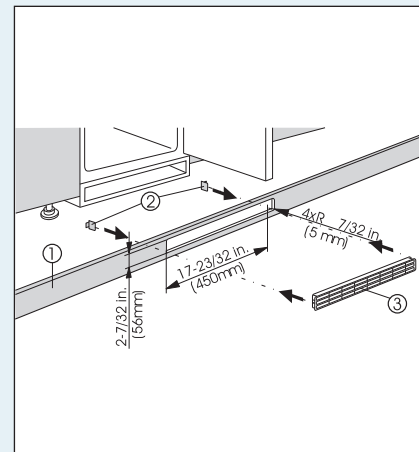


This is a fully integrated refrigerator-freezer which means that it is fully enclosed by a kitchen cabinet. This type of cabinet must be carefully constructed using the correct dimensions and it must provide suitable ventilation to ensure proper appliance operation.

**NOTICE**  
If the following ventilation dimensions are not observed the compressor will be damaged.

**Kitchen Cabinet Airflow**  
The following ventilation dimensions must be observed: There must be a ventilation space at least 31 in.<sup>2</sup> (200 cm<sup>2</sup>) at the airflow inlet (1) and at the airflow outlet (2).  
The top ventilation space can be directed in one of the following ways:  
A) Directly over the appliance (2) with either an optional factory air vent or custom made one.  
B) Above the cabinet and below the ceiling (3).  
C) Through a vent installed in a soffit (4).  
A minimum space of 1 1/2" (38mm) is required when a cabinet is built above and/or underneath.

Kitchen Cabinet Base Grille



Ventilation through the cabinet base at the bottom can be achieved by installing the provided ventilation grille (3) or via a ventilation opening of at least 31 in.<sup>2</sup> (200 cm<sup>2</sup>).

**When using the provided ventilation grille (3), please proceed as follows:**  
- In the cabinet base, cut out a ventilation opening that is 17-23/32 in. (450 mm) in width and 2-7/32 in. (56 mm) in height.  
- Insert ventilation (3) grille into the cabinet base cut-out (1).  
- From the back side, slide the snap-fits (2) into the grille until the hooks make contact with the cabinet base.  
- Completely mount cabinet base (with ventilation grille and snap-fits) to kitchen cabinet.



**Liebherr HRB 1120**  
Fully Integrated/Seamless



**LIEBHERR**  
Quality, Design and Innovation



Liebherr's 24" fully integrated HRB 1120 is the perfect refrigerator for any kitchen. Hidden away behind custom cabinetry, the HRB 1120 includes BioFresh technology, which helps food retain their healthy vitamins, aroma and appetizing appearance significantly longer than in conventional refrigerators. The BioFresh drawers include Liebherr's FlexSystem storage solution, where fruits and vegetables can be clearly organized and separated, or stored according use-by date.

The HRB 1120 includes efficient LED lighting throughout, flexible bottle racks to maximize interior space, and SoftSystem technology for the gentle closing of doors, even when shelves are fully loaded.

**Possible Side-by-Side configuration**  
SBS 19H1: HF 861 and HRB 1120



**Fully Integrated/Seamless**

**Energy consumption**

in 365 days kWh  
Estimated Yearly Energy Cost in US \$

**Capacity**

Total capacity cu.ft. (l)  
Refrigerator comp. cu.ft. (l)  
BioFresh comp. cu.ft. (l)

**Shipping weight lbs. (kg)**

**Climate rating**

**Sound rating dB(A)**

**Door hinges**

**Outside dimensions**

in inches (cm) H/W/D

**Cut out dimensions**

in inches (cm) H/W/D

**Energy supply**

Voltage V/Hz

**HRB 1120**  
Premium



283

34\*

10.8 (308)

10.8 (308)

3.3 (92)

166 (75.3)

SN-T

33\*\*

right, reversible

69 11/16"+11/16"/22"/21 7/16" (177+1.6/55.9/54.4)

69 13/16"-70 7/16"/22 1/16"-22 13/16"/21 11/16" (177.2-178.8/56-57.8/55.0)

115/60



**German Engineering:** Our superior products offer premium quality, cutting edge design and innovative features that fit your busy lifestyle. Exclusive components and materials, along with the latest production processes, ensure energy efficiency and performance for years to come.



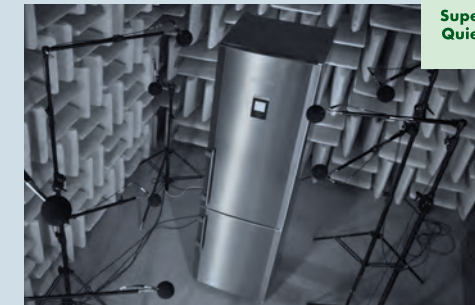
**Energy Star:** Liebherr refrigerators help produce less energy waste and greenhouse gas emissions with the goal of having the least damaging effect on the environment, while offering solutions that help consumers conserve energy.



**BioFresh:** BioFresh guarantees the perfect climate for super-long-term freshness. Each drawer can be used individually and provides ideal humidity – HydroSafes with high humidity or DrySafes with low humidity – for a versatile storage solution of meats and cheeses as well as fruits and vegetables.



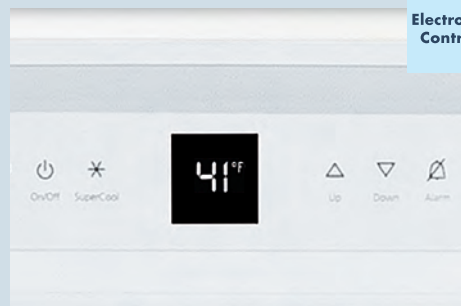
**SuperCool:** The automatic SuperCool function lowers the refrigerator temperature down as far as 35°F for as long as 12 hours - ideal for rapidly cooling freshly stored food.



**SuperQuiet:** Noise is kept to a minimum with virtually silent, speed controlled compressors and a low-noise cooling circuit; while also ensuring exact performance, energy efficiency and SuperQuiet operation.



**SoftSystem:** Unique to Liebherr is our patented SoftSystem, often used in high-end cabinetry, ensures that the door closes gently, even when fully loaded. Plus the door opening angle can be reduced to 90 degrees allowing for more design options within kitchen décor.



**Electronic Display:** Our intuitive electronic touch control panel ensures all functions are easy and convenient to use as well as guarantees that the settings selected remain accurate and constant.



**GlassLine:** The elegant yet tough GlassLine shelves are scratch resistant and easy to clean as well as dishwasher safe. The space-saving shelves are designed for organization and are completely adjustable to suit your needs and the contents of the refrigerator. Additionally, the lighting shines through for a brighter interior.



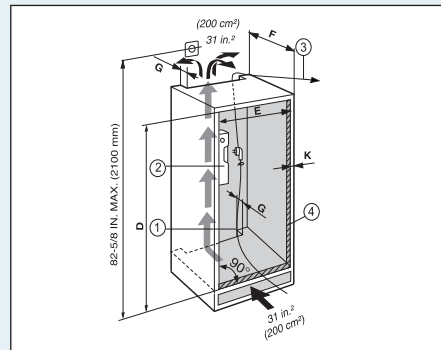
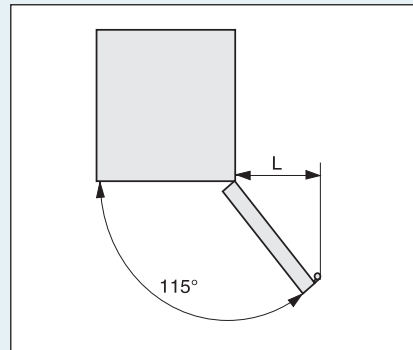
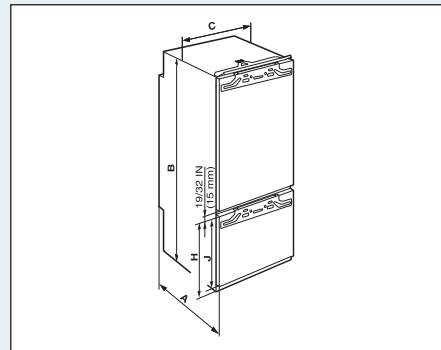
**LED:** Distinctive LED light columns are integrated into both sides of the compartment liner. Inside the columns are numerous cool LED lights that ensure uniform lighting throughout the interior.

\* Energy Cost will depend on utility rates and use. Estimated energy cost based on a national average electricity cost of 12 cents per kWh.

\*\* Noise output – according to EN 60704-3

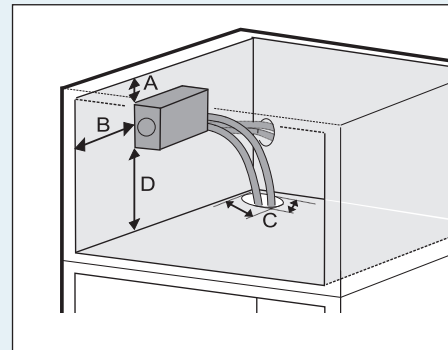


Unit Dimensions



- A. 21-7/16" (544 mm)
  - B. 69-11/16" (1770 mm)
  - C. 22" (559 mm)
  - D. 69-3/4" - 70-3/8" (1772 - 1788 mm)
  - E. min. 22" (560 mm) max. 22-3/4" (578 mm)
  - F. 21-5/8" (550 mm)
  - G. 1-5/8" (40 mm)
  - J. 66-1/2" (1689,9 mm)
  - K. max. 3/4" (19 mm)
  - L. 9-21/32" (245 mm)
- ① Power cord  
② Level  
③ Fish line for power cord  
④ 3" of the cabinet needs to be finished as it can be seen when the door is open.
- In the case of Side-by-Side installation, two appliances next to one another, build the appliances into separate kitchen units.**

Water Filter

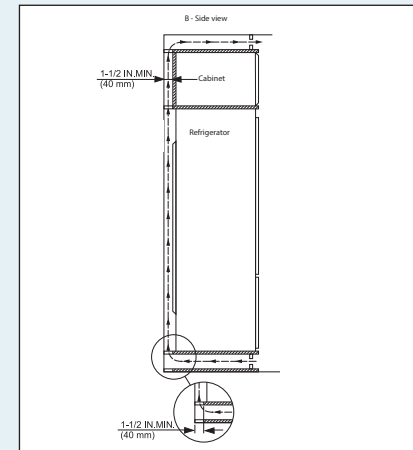
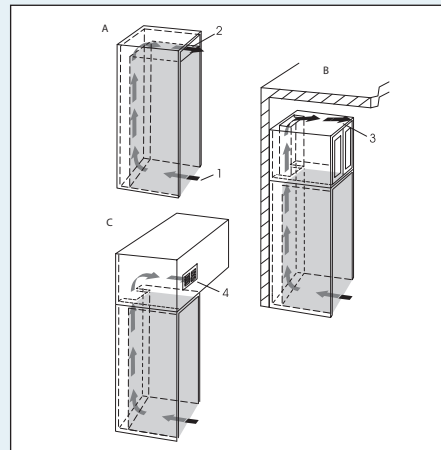


**The water filter module is supplied with the appliance.**

It should be installed near the appliance in the cabinet, for example, in the adapter cabinet above the appliance. To connect the filter to the appliance, it may be necessary to make an opening (C) in the floor of the adapter cabinet through which the hoses will be routed. The maximum length of the water hose is 98-7/16" (2.5 m). The filter cover must be installed during assembly to leave sufficient space around the filter module. Maintain the dimensions shown in Fig. so that the filter can be replaced and the cover can be removed.

- A. 13/16 in. (20mm)
- B. 3-15/16 in. (100mm)
- C. 1-3/16 in. x 3/8 in. (30mm x10mm)
- D. min. 4 in. (100mm)

Ventilation Requirements

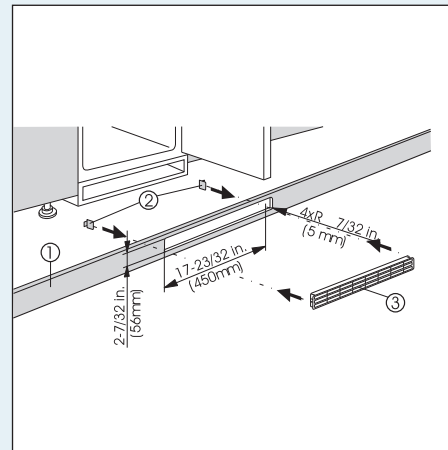


This is a fully integrated refrigerator-freezer which means that it is fully enclosed by a kitchen cabinet. This type of cabinet must be carefully constructed using the correct dimensions and it must provide suitable ventilation to ensure proper appliance operation.

**NOTICE**  
If the following ventilation dimensions are not observed the compressor will be damaged.

**Kitchen Cabinet Airflow**  
The following ventilation dimensions must be observed: There must be a ventilation space at least 31 in.² (200 cm²) at the airflow inlet (1) and at the airflow outlet (2).  
The top ventilation space can be directed in one of the following ways:  
A) Directly over the appliance (2) with either an optional factory air vent or custom made one.  
B) Above the cabinet and below the ceiling (3).  
C) Through a vent installed in a soffit (4).  
A minimum space of 1 1/2" (38mm) is required when a cabinet is built above and/or underneath.

Kitchen Cabinet Base Grille



Ventilation through the cabinet base at the bottom can be achieved by installing the provided ventilation grille (3) or via a ventilation opening of at least 31 in.² (200 cm²).

When using the provided ventilation grille (3), please proceed as follows:  
- In the cabinet base, cut out a ventilation opening that is 17-23/32 in. (450 mm) in width and 2-7/32 in. (56 mm) in height.  
- Insert ventilation (3) grille into the cabinet base cut-out (1).  
- From the back side, slide the snap-fits (2) into the grille until the hooks make contact with the cabinet base.  
- Completely mount cabinet base (with ventilation grille and snap-fits) to kitchen cabinet.



**Liebherr HF 861**  
Fully Integrated/Seamless



**LIEBHERR**  
Quality, Design and Innovation



Liebherr's 24" fully integrated HF 861 is the perfect freezer for any kitchen. The HF 861 includes transparent, extra-deep, and fully removable FrostSafe drawers on telescopic rails efficiently organize frozen foods. As the FrostSafe drawers are fully enclosed, the continuously circulating cold air does not escape as quickly when the door is opened, enhancing the freezer's energy efficiency.

The HF 861 includes SoftSystem technology for the gentle closing of doors, eliminating slamming even when shelves are fully loaded. Liebherr's automatic IceMaker with fixed water connection produces perfect ice cubes and keeps a constant supply on hand for every occasion.

**Possible Side-by-Side configuration**  
SBS 19H1: HF 861 and HRB 1120



Fully Integrated/Seamless

Energy consumption

in 365 days kWh  
Estimated Yearly Energy Cost in US \$

Capacity

Total capacity cu.ft. (l)  
NoFrost Freezer comp. cu.ft. (l)

Shipping weight lbs. (kg)

Climate rating

Sound rating dB(A)

Ice cube output lbs. (kg) / 24h

Ice cube stock lbs. (kg)

Door hinges

Outside dimensions

in inches (cm) H/W/D

Cut out dimensions

in inches (cm) H /W/D

Energy supply

Voltage V/Hz

HF 861  
Premium



439

53\*

7.8 (220)

7.8 (220)

175 (79.4)

SN,N,ST,T

38\*\*

1.8 (0.8)

3.3 (1.5)

left, reversible

69 11/16"+11/16"/22"/21 7/16" (177+1.6/55.9/54.4)

69 13/16"-70 7/16"/22 1/16"-22 13/16"/21 11/16" (178.8/56-57.8/55)

115/60

\* Energy Cost will depend on utility rates and use. Estimated energy cost based on a national average electricity cost of 12 cents per kWh.

\*\* Noise output – according to EN 60704-3



**German Engineering:** Our superior products offer premium quality, cutting edge design and innovative features that fit your busy lifestyle. Exclusive components and materials, along with the latest production processes, ensure energy efficiency and performance for years to come.



**Energy Star:** Liebherr refrigerators help produce less energy waste and greenhouse gas emissions with the goal of having the least damaging effect on the environment, while offering solutions that help consumers conserve energy.



**SuperQuiet:** Noise is kept to a minimum with virtually silent, speed controlled compressors and a low-noise cooling circuit; while also ensuring exact performance, energy efficiency and SuperQuiet operation.



**SoftSystem:** Unique to Liebherr is our patented SoftSystem, often used in high-end cabinetry, ensures that the door closes gently, even when fully loaded. Plus the door opening angle can be reduced to 90 degrees allowing for more design options within kitchen décor.



**Electronic Display:** Our intuitive electronic touch control panel ensures all functions are easy and convenient to use as well as guarantees that the settings selected remain accurate and constant.



**FrostSafe Drawers:** The removable FrostSafe Drawers create flexible storage space that can easily expand to accommodate larger items. Advantageously, this spacious and practical transparent drawer system helps you fit more as well as maintain temperature by keeping cold air from escaping when the door is open.



**LED:** The LED light strip is integrated in the electronic panel. This ensures optimum illumination of the pull-out drawers with a transparent front – for an even better view of the stored food.



**Door-on-door technology:** Allows custom panels to be affixed directly onto the appliance so that the hinges are concealed, plus the cabinet and the fridge open as one, ensuring a wide range of design options and easy installation.



**IceMaker:** Liebherr's icemaker produces perfect ice that does not stick together thanks to our twist tray technology. The automatic IceMaker provides you with a constant supply for every occasion. An activated carbon filter ensures pure water for production of clear ice cubes.

The fully integrated **HW 8000** multi-temperature wine cabinet is sure to compliment any kitchen, bar, or living room design. The temperature in each of the two sophisticated temperature zones can be set between 41°F and 68°F, ensuring optimal storage conditions for suitable for storing reds, whites, and champagnes. The HW 8000 provides storage flexibility for up to 80 Bordeaux bottles thanks to its beech wood shelving and ten storage areas at varying heights, ideal for grouping different bottles types and sizes. A flexible clip-on labelling system ensures a clear overview of your wine collection. Alternatively, you can display your wines on the high-quality presentation shelf.

The **HW 8000** can be fully integrated to match your unique design, matching cabinetry heights of up to 80" or 84", including Side-by-Side combinations for maximum wine storage. A stainless steel panel accessory kit is available for when your design calls for a stainless steel look.

The **HW 8000's** activated charcoal filter provides superb air quality by removing contaminating substances from the cabinet air. The insulated glass door with UV protection and LED lighting, alongside the activated charcoal filter, protect your finest wines from busy kitchen influences such as light and damaging odors.



## Fully Integrated Wine Cabinet

### HW 8000 Vinidor



Energy consumption (kWh/y)	253
Estimated Yearly Energy Cost in US \$*	–
Sound rating dB(A)**	36
Total capacity cu.ft. (l)	9.0 (254)
Max. No. of Bordeaux bottles (0.75 l)	80
Number of shelves	10
Shelves on telescopic rails	8
Shelf material	Beech wood shelves
Presentation shelf	1
Electronic control	LCD temp. display for both wine zones, touch electronic
Temperature range °F (°C)	+41°F to +68°F (+5°C to +20°C)
Temperature zones	2
Interior light	LED lighting permanently on, dimmable
Door alarm	acoustic
Safety thermostat	yes
Activated Charcoal filter	yes
Door type	panel ready or stainless steel panel as accessory
SoftSystem	yes
Door hinges	right, reversible
Product dimensions (H/W/D) in. (cm)	69 11/16" / 21 15/16" / 21 13/16" (177/55.7/55.3)
Cut out dimensions (H/W/D) in. (cm) ***	70 1/8" / 22 1/16" / 21 11/16" (178/56/55)
Net weight lbs. (kg)	200.6 (91.0)
Voltage V/Hz	115/60

\* Estimated energy cost will depend on utility rates and use. Estimated energy cost based on a national average electricity cost of 12 cents per kWh.

\*\* Noise output – according to EN 60704-3.

\*\*\* Cut out height does not include toe kick.





**German Engineering:** Our superior products offer premium quality, cutting edge design, and innovative features that best fit your lifestyle. The use of high quality materials, perfectly detailed finishes, and elite cooling components are combined with the latest production processes, resulting in an outstanding cooling product.



Soft System

**SoftSystem:** Liebherr's SoftSystem technology gently cushions the automatic door closing, preventing vibrations which can affect the quality of your finest wines.



Electronic Control

**Touch Control:** The electronic touch system allows temperatures to be set to the exact desired degree, from 41°F to 68°F. Temperatures are clearly displayed on the LCD display for accurate readings of your desired settings.



LED

**LED Ceiling Light:** The energy efficient LED ceiling light not only emits virtually no heat for the optimal storage of wines, but is dimmable for a pleasant ambient light within the cabinet, as well as a cool glow for the room.



**Beech Wood Shelving:** Liebherr wine cabinets are fitted with beech wood shelving, mounted on telescopic rails for easy and gentle access to wines. The handmade, untreated wood pullout shelves can hold a variety of bottle types.



**Presentation Shelf:** Show off your finest wines with Liebherr's presentation shelf, displaying your wines at a 45°, visible through the appliance door.



**Activated Charcoal Filter:** Optimum air quality is guaranteed in Liebherr wine cabinets thanks to the easy-to-replace FreshAir activated charcoal filter, which purifies incoming air, while filtering out damaging odors.



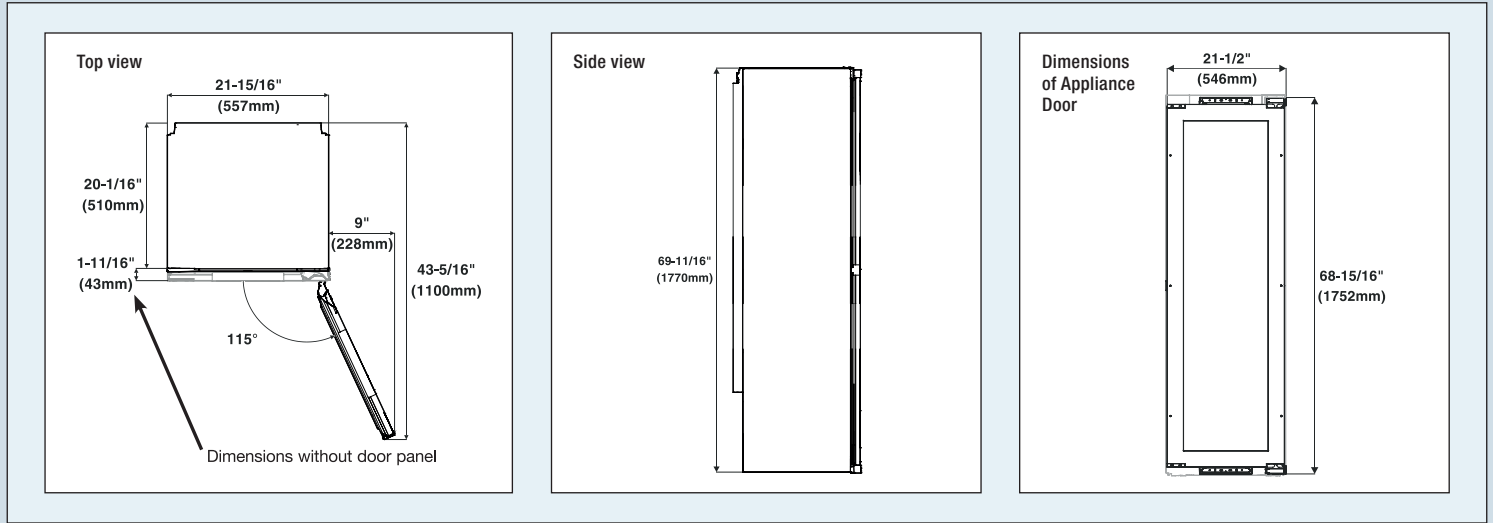
**UV Protection:** In order to minimize the exposure of light which can damage the maturity of a wine, Liebherr wine cabinets are fitted with special UV-resistant insulated glass, simultaneously protecting and presenting your finest wines.



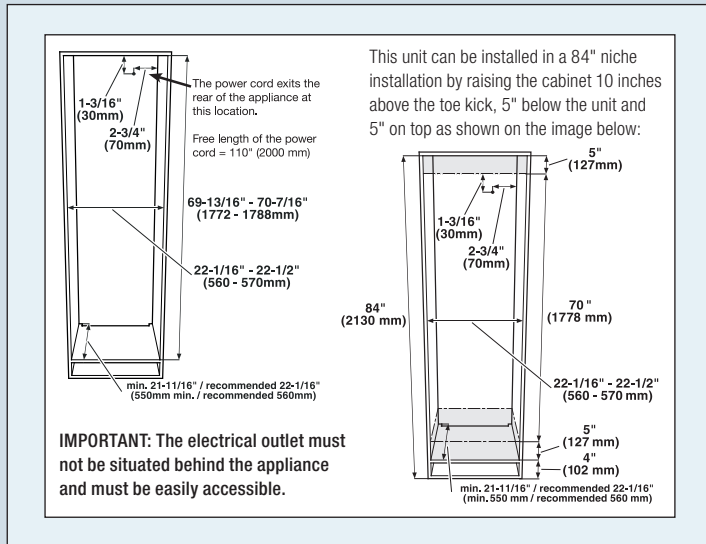
**Alarm:** Liebherr wine cabinets are equipped with a trustworthy alarm system which alerts the owner if the door has been left open, or if there are temperature changes.



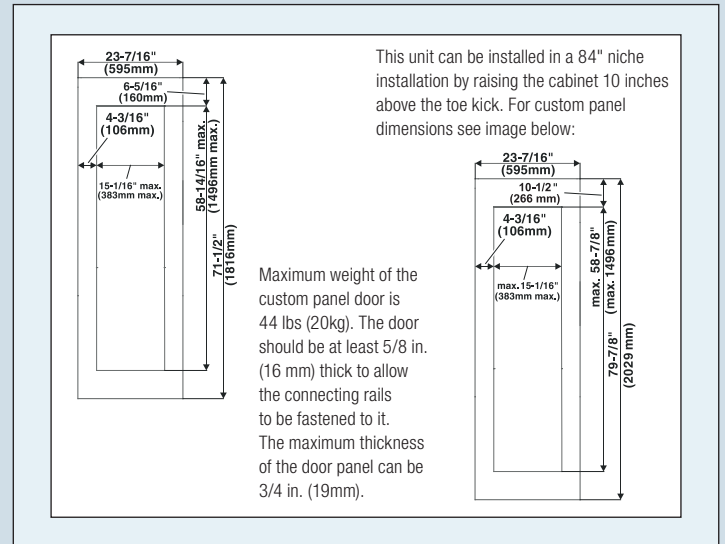
Product Dimensions



Cabinet Dimensions



Custom Panel Dimensions



Ventilation Requirements

